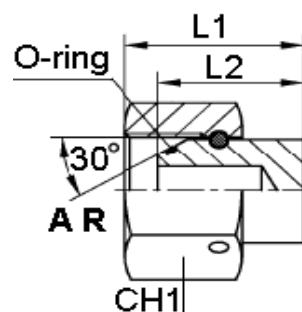


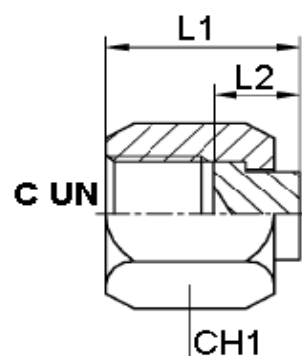
# VISOKOTLAČNI ČEPOVI

Tip	Oznaka PARKER	Napomena
-----	------------------	----------

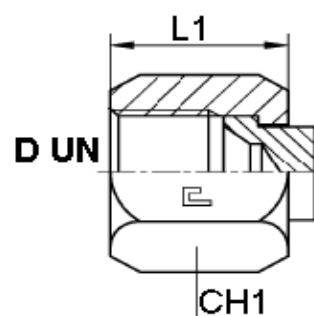
A R čep	-	-
A R 1/8" čep		
A R 1/4" čep		
A R 3/8" čep		
A R 1/2" čep		
A R 5/8" čep		
A R 3/4" čep		
A R1" čep		
A R1.1/4" čep		
A R1.1/2" čep		
A R2" čep		



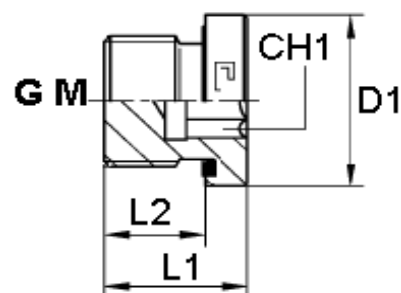
C UN/UNFUNS čep	FNML	-
C UNF 9/16" čep	4 FNMLS	
C UN 11/16" čep	6 FNMLS	
C UN 13/16" čep	8 FNMLS	
C UNS1" čep	10 FNMLS	
C UN 1. 3/16" čep	12 FNMLS	
C UN 1. 7/16" čep	16 FNMLS	
C UN 1.11/16" čep	20 FNMLS	
C UN 2" čep	24 FNMLS	



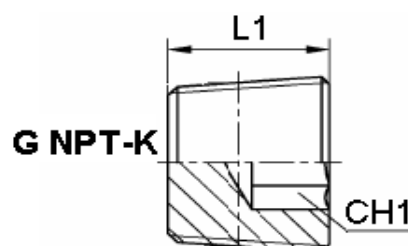
D UN/UNF čep	FNMTX	-
D UNF 7/16" čep	4 FNMTXS	
D UNF 1/ 2" čep	5 FNMTXS	
D UNF 9/16" čep	6 FNMTXS	
D UNF 3/ 4" čep	8 FNMTXS	
D UNF 7/ 8" čep	10 FNMTXS	
D UN1.1/16" čep	12 FNMTXS	
D UN1.5/16" čep	16 FNMTXS	
D UN1.5/ 8" čep	20 FNMTXS	
D UN1.7/ 8" čep	24 FNMTXS	



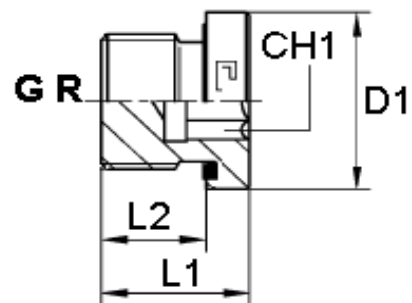
G M čep	V STIM - ED	Imbus
G M10x1 čep	VSTI M10x1 -ED	
G M12x1,5 čep	VSTI M12x1,5-ED	
G M14x1,5 čep	VSTI M14x1,5-ED	
G M16x1,5 čep	VSTI M16x1,5-ED	
G M18x1,5 čep	VSTI M18x1,5-ED	
G M20x1,5 čep	VSTI M20x1,5-ED	
G M22x1,5 čep	VSTI M22x1,5-ED	
G M26x1,5 čep	VSTI M26x1,5-ED	
G M27x2 čep	VSTI M27x2 -ED	
G M33x2 čep	VSTI M33x2 -ED	
G M42x2 čep	VSTI M42x2 -ED	
G M48x2 čep	VSTI M48x2 -ED	



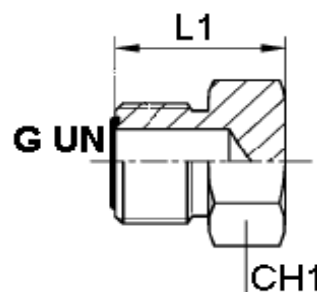
G NPT-K čep	-	Imbus
G NPT 1/8"K čep		
G NPT 1/4"K čep		
G NPT 3/8"K čep		
G NPT 1/2"K čep		
G NPT 3/4"K čep		
G NPT1"K čep		
G NPT1.1/4"K čep		
G NPT1.1/2"K čep		



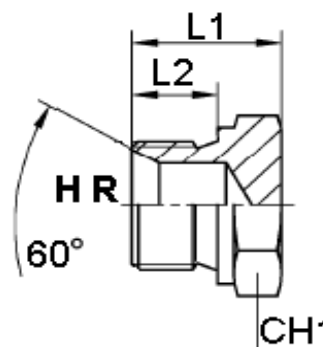
<b>G R</b> čep	<b>V STIR - ED</b>	<b>Imbus</b>
G R 1/8" čep	VSTI R1/8-ED	
G R 1/4" čep	VSTI R1/4-ED	
G R 3/8" čep	VSTI R3/8-ED	
G R 1/2" čep	VSTI R1/2-ED	
G R 3/4" čep	VSTI R3/4-ED	
G R1" čep	VSTI R1-ED	
G R1.1/4" čep	VSTI R1.1/4-ED	
G R1.1/2" čep	VSTI R1.1/2-ED	



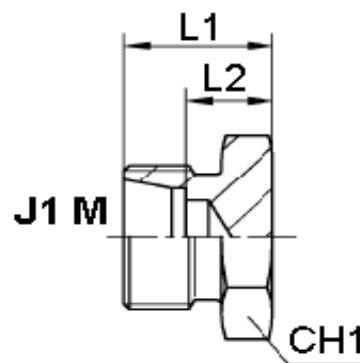
<b>G UN/UNFUNS</b> čep	<b>PNMLO</b>	<b>Šesterokut</b>
G UNF 9/16" čep	4 PNMLOS	
G UN 11/16" čep	6 PNMLOS	
G UN 13/16" čep	8 PNMLOS	
G UNS1" čep	10 PNMLOS	
G UN 1. 3/16" čep	12 PNMLOS	
G UN 1. 7/16" čep	16 PNMLOS	
G UN 1.11/16" čep	20 PNMLOS	
G UN 2" čep	24 PNMLOS	



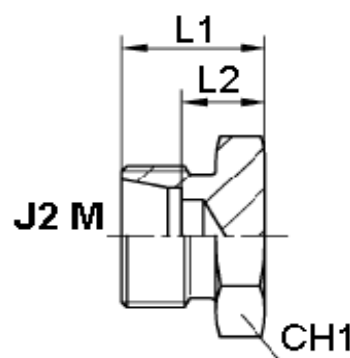
<b>H R</b> čep	-	<b>Šesterokut</b>
H R 1/8" čep		
H R 1/4" čep		
H R 3/8" čep		
H R 1/2" čep		
H R 5/8" čep		
H R 3/4" čep		
H R1" čep		
H R1.1/4" čep		
H R1.1/2" čep		
H R2" čep		



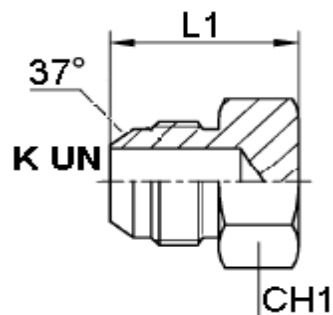
<b>J1 M</b> čep	<b>X ROV - L</b>	<b>Šesterokut</b>
J1 M12x1,5 čep	X ROV 6 - L	
J1 M14x1,5 čep	X ROV 8 - L	
J1 M16x1,5 čep	X ROV 10 - L	
J1 M18x1,5 čep	X ROV 12 - L	
J1 M22x1,5 čep	X ROV 15 - L	
J1 M26x1,5 čep	X ROV 18 - L	
J1 M30x2 čep	X ROV 22 - L	
J1 M36x2 čep	X ROV 28 - L	
J1 M45x2 čep	X ROV 35 - L	
J1 M52x2 čep	X ROV 42 - L	



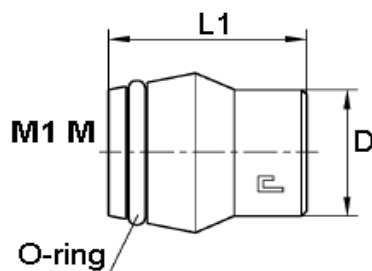
<b>J2 M</b> čep	<b>X ROV - S</b>	<b>Šesterokut</b>
J2 M14x1,5 čep	X ROV 6 - S	
J2 M16x1,5 čep	X ROV 8 - S	
J2 M18x1,5 čep	X ROV 10 - S	
J2 M20x1,5 čep	X ROV 12 - S	
J2 M22x1,5 čep	X ROV 14 - S	
J2 M24x1,5 čep	X ROV 16 - S	
J2 M30x2 čep	X ROV 20 - S	
J2 M36x2 čep	X ROV 25 - S	
J2 M42x2 čep	X ROV 30 - S	
J2 M52x2 čep	X ROV 38 - S	



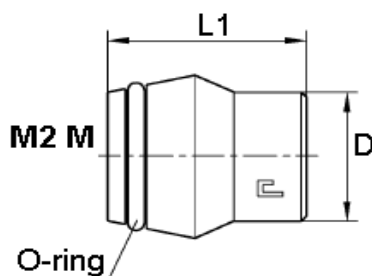
K UN/UNF čep	PNMTX	Šesterokut
K UNF 7/16" čep	4 PNMTXS	
K UNF 1/ 2" čep	5 PNMTXS	
K UNF 9/16" čep	6 PNMTXS	
K UNF 3/ 4" čep	8 PNMTXS	
K UNF 7/ 8" čep	10 PNMTXS	
K UN1.1/16" čep	12 PNMTXS	
K UN1.5/16" čep	16 PNMTXS	
K UN1.5/ 8" čep	20 PNMTXS	
K UN1.7/ 8" čep	24 PNMTXS	



M1 M bm čep	VKA	-
M1 M12x1,5 bm čep	VKA 6	
M1 M14x1,5 bm čep	VKA 8	
M1 M16x1,5 bm čep	VKA 10	
M1 M18x1,5 bm čep	VKA 12	
M1 M22x1,5 bm čep	VKA 15	
M1 M26x1,5 bm čep	VKA 18	
M1 M30x2 bm čep	VKA 22	
M1 M36x2 bm čep	VKA 28	
M1 M45x2 bm čep	VKA 35	
M1 M52x2 bm čep	VKA 42	



M2 M bm čep	VKA	-
M2 M14x1,5 bm čep	VKA 6	
M2 M16x1,5 bm čep	VKA 8	
M2 M18x1,5 bm čep	VKA 10	
M2 M20x1,5 bm čep	VKA 12	
M2 M22x1,5 bm čep	VKA 14	
M2 M24x1,5 bm čep	VKA 16	
M2 M30x2 bm čep	VKA 20	
M2 M36x2 bm čep	VKA 25	
M2 M42x2 bm čep	VKA 30	
M2 M52x2 bm čep	VKA 38	



- Napomene :** - Čepovi M1 M i M2 M se kompletiraju dodavanjem odgovarajućih 'ERMETO' matica.  
 - Navedene paralelene oznake tvrtke "Parker" su ERMETO za čepove sa glavama J i M sa metričkim navojem prema DIN 2353, TRIPLE-LOK sa glavama D i K s UN/UNF navojima prema SAE J514 (JIC) i O-LOK sa glavama C i G s UN/UNF/UNS navojima prema SAE J1453 (ORFS).